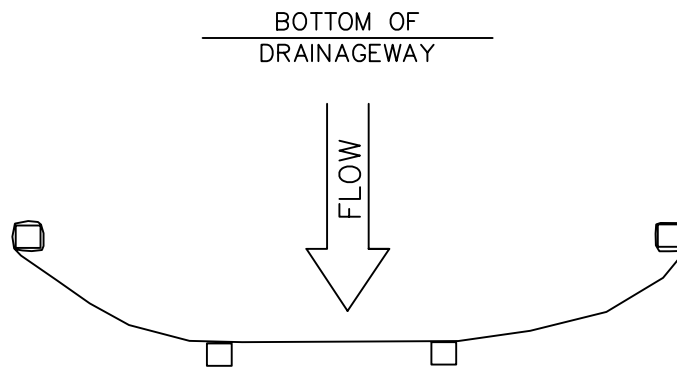
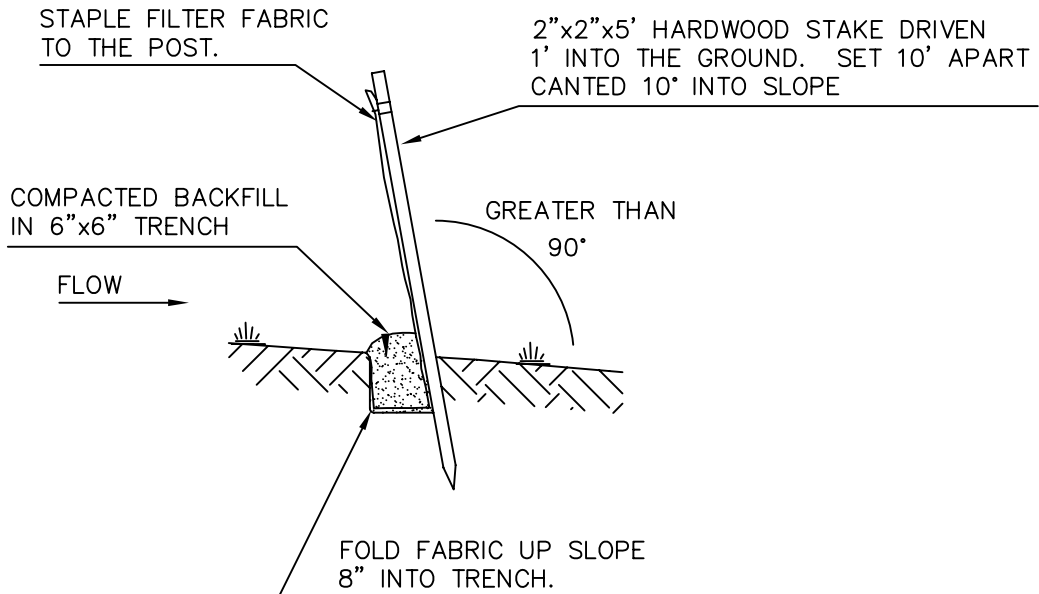


ELEVATION

POINT 'A' SHOULD BE HIGHER THAN POINT 'B'



PLAN



TOWN OF WINDSOR
Engineering Department



FILTER FABRIC FENCE
FOR EROSION CONTROL

D-102



SCALE: $\frac{\text{HOR. NTS}}{\text{VER.}}$ DATE: FEB. 2009