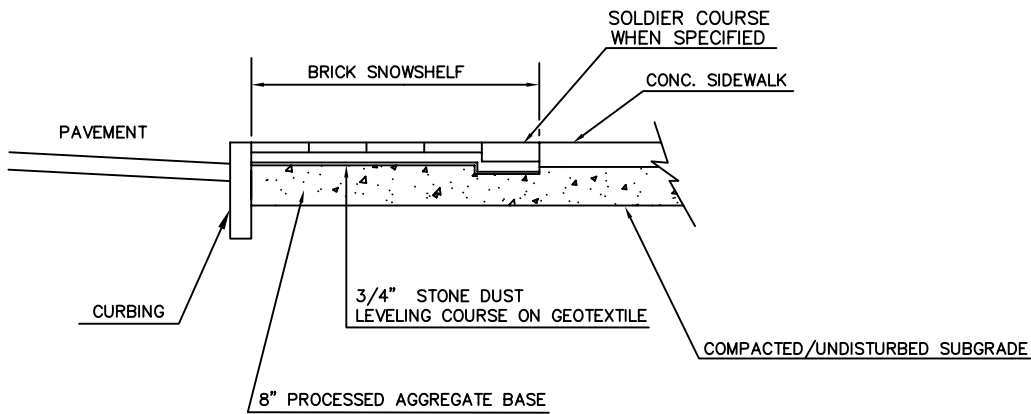
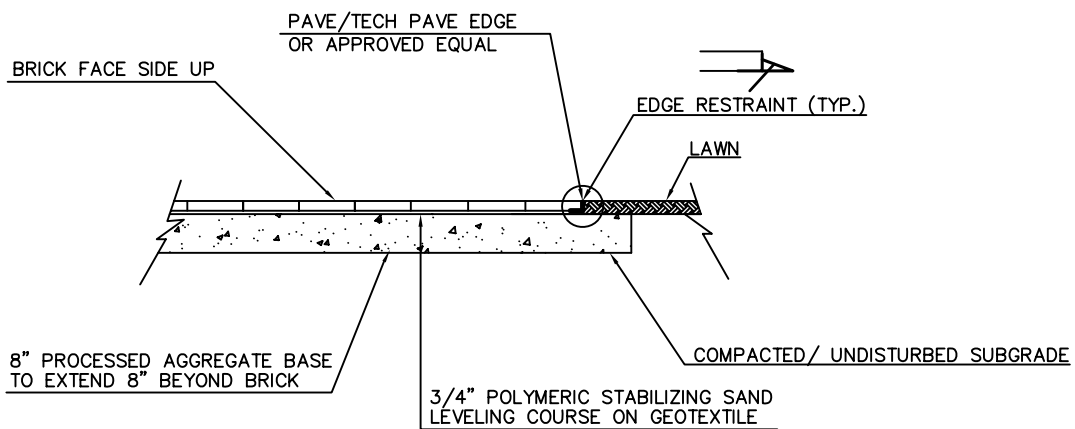


BRICK PAVERS IN CONCRETE



BRICK PAVERS DRY SET ALONG SIDEWALK

BUTT BRICKS TOGETHER.  
JOINTS TO BE FILLED  
WITH POLYMERIC STABILIZING  
SAND FOR PAVERS



BRICK PAVERS DRY SET ALONG LAWN

BUTT BRICKS TOGETHER.  
JOINTS TO BE FILLED  
WITH POLYMERIC STABILIZING  
SAND FOR PAVERS



TOWN OF WINDSOR  
Engineering Department



BRICK PAVERS  
D-207



SCALE: HOR. NTS VER. DATE: OCTOBER 2008