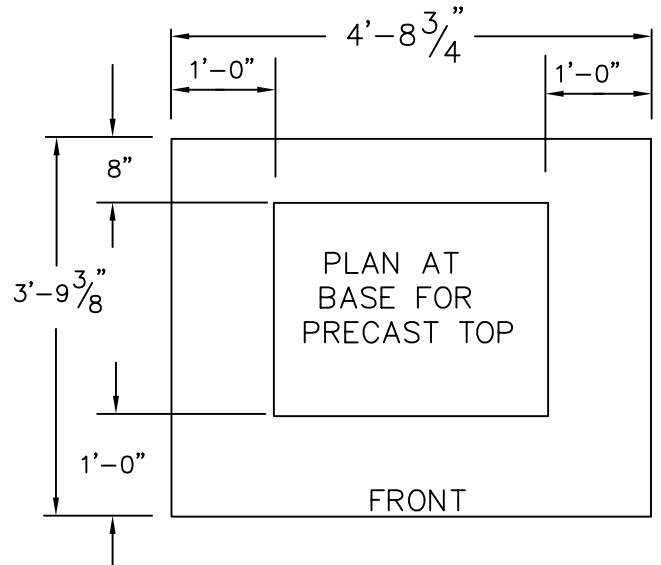
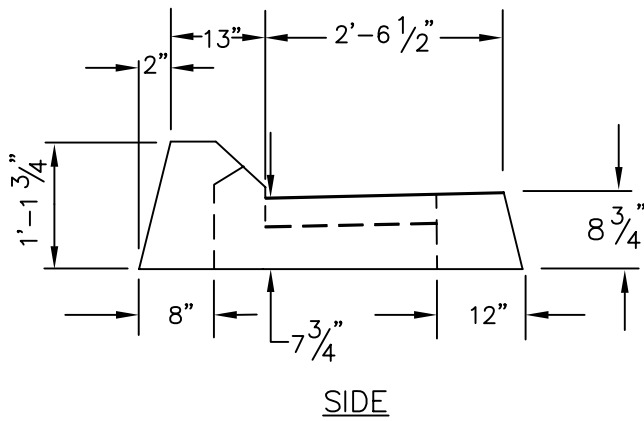
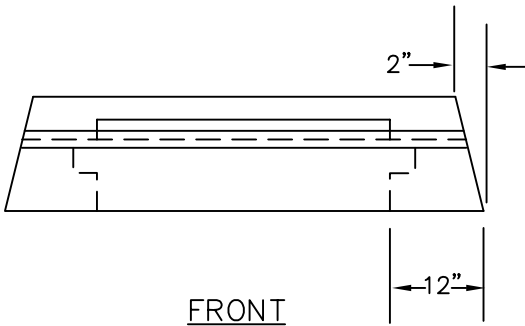


CURB INLET DETAIL



NOTES:

1. ALL DIMENSIONS SHOWN ARE FOR GENERAL INFORMATION ONLY. CONTRACTOR TO SUBMIT MANUFACTURERS' SHOP DRAWINGS OF SPECIFIC PRODUCT FOR APPROVAL BY THE ENGINEER.
2. A 3'-0 <sup>3</sup>/<sub>4</sub>" X 1'-7 <sup>3</sup>/<sub>8</sub>" GALVANIZED, BICYCLE SAFE GRATE SHALL BE USED.



TOWN OF WINDSOR  
Engineering Department



CATCH BASIN TOP  
TYPE "C" PRECAST CONCRETE  
D-304



SCALE: HOR. NTS VER. DATE: MARCH 2009