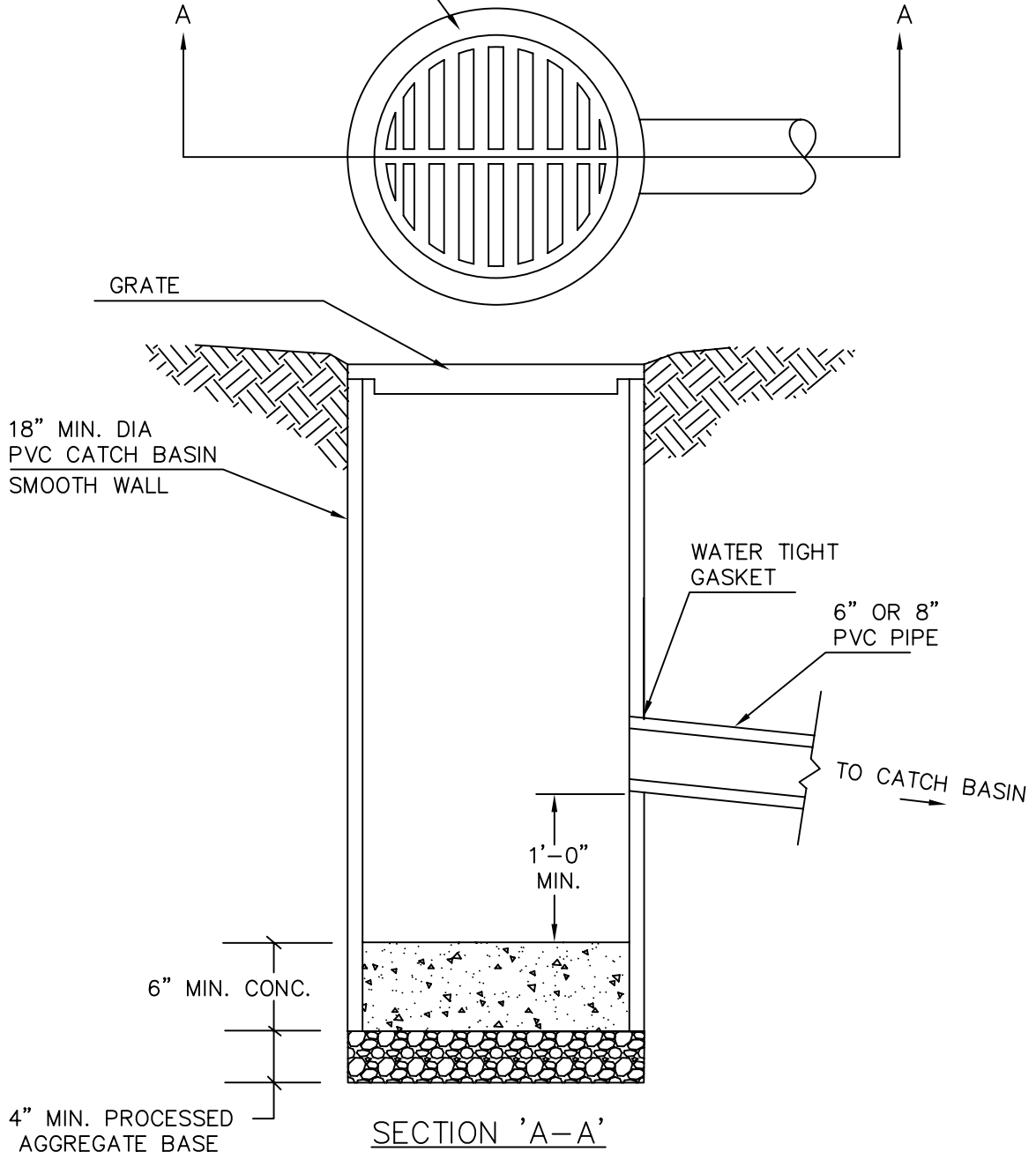


CAST IRON
FRAME AND GRATE,
CAMPBELL FOUNDRY R-918
OR APPROVED EQUAL



NOTES:

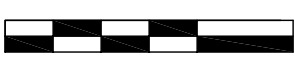
1. MINIMUM DEPTH OF YARD DRAIN 42".
2. THE INSTALLATION OF THIS YARD DRAIN IS INTENDED FOR USE IN SMALL LAWN AREAS.



TOWN OF WINDSOR
Engineering Department



YARD DRAIN
D-310



SCALE: $\frac{\text{HOR.}}{\text{VER.}}$ NTS DATE: MARCH 2009