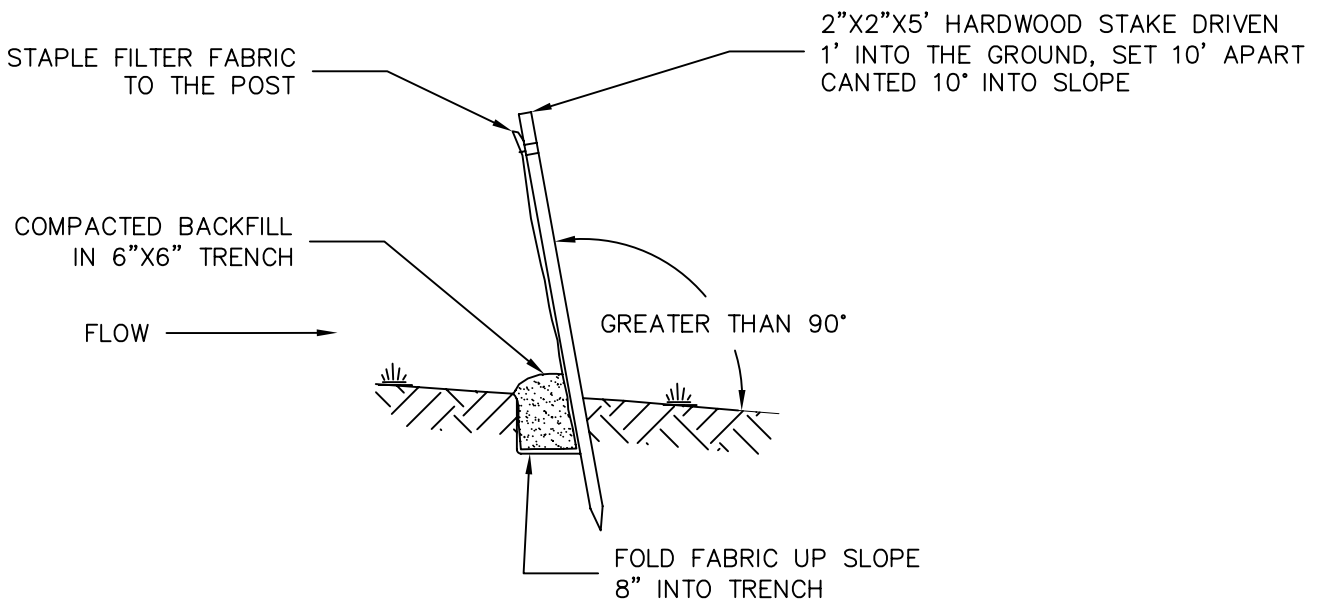
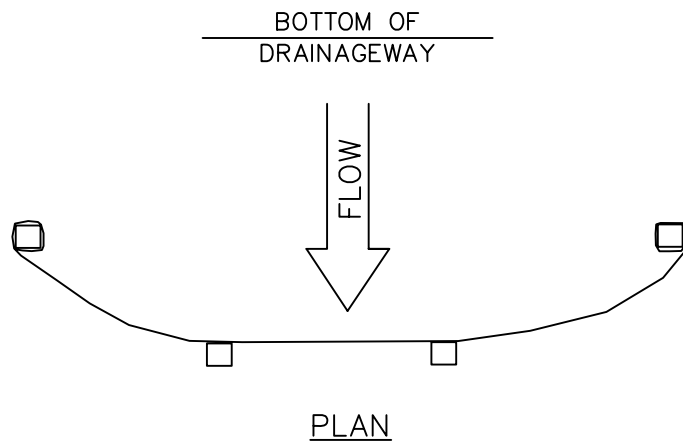


POINTS 'A' SHOULD BE HIGHER THAN POINTS 'B' IF SLOPE DICTATES



TOWN OF WINDSOR
Engineering Department



FILTER FABRIC FENCE
FOR EROSION CONTROL
D-102



SCALE: $\frac{\text{HOR. NTS}}{\text{VER.}}$ DATE: MAY 2010