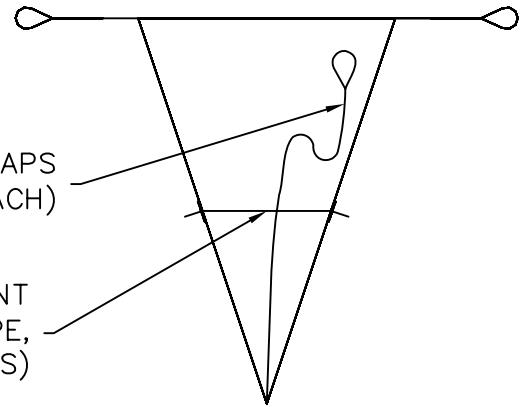
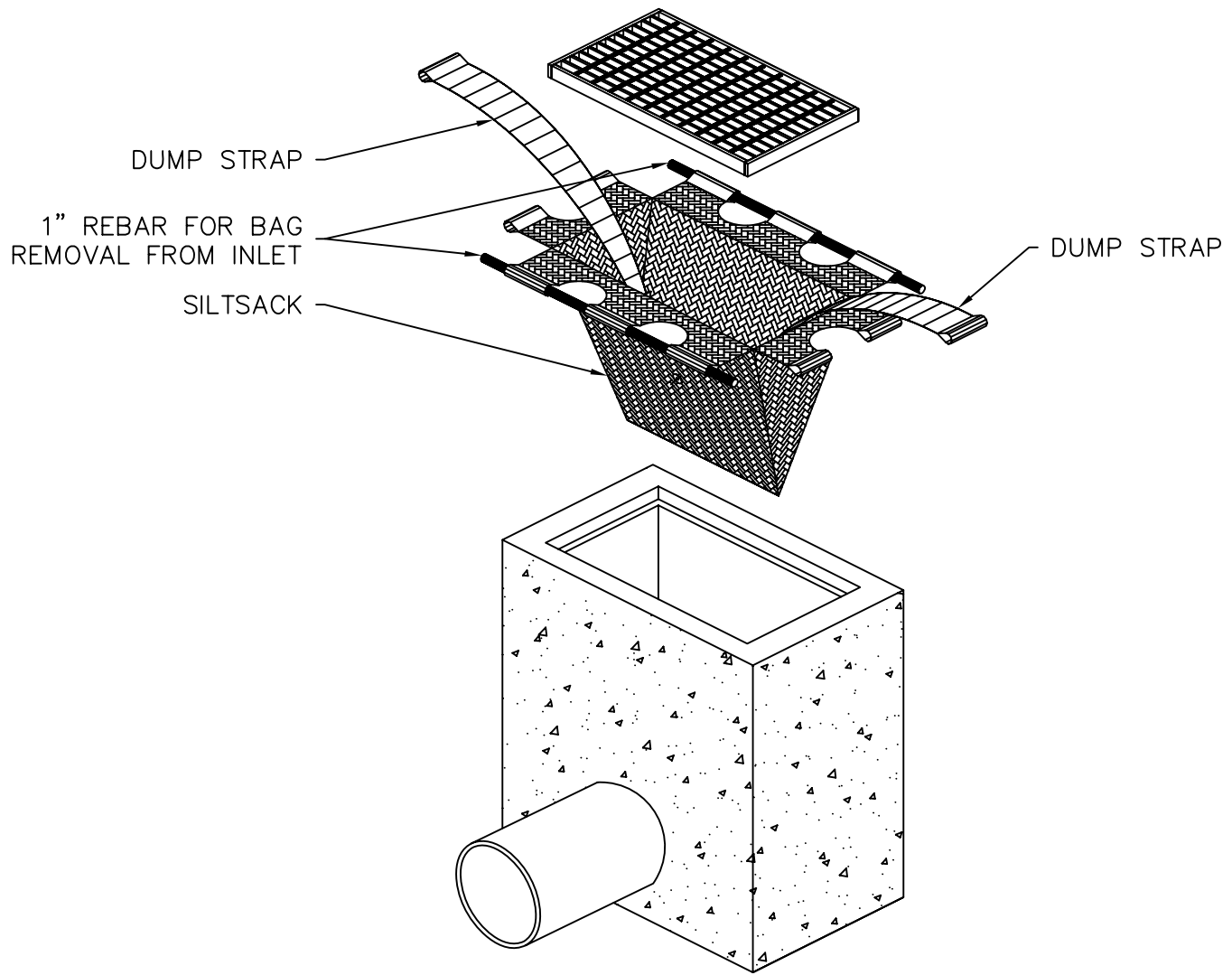


INSTALLATION DETAIL



BAG DETAIL



DUMP STRAP

1" REBAR FOR BAG
REMOVAL FROM INLET

SILTSACK

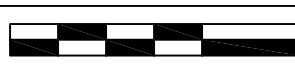
DUMP STRAP



TOWN OF WINDSOR
Engineering Department



SILTSACK
AT CATCH BASIN
D-103



SCALE: $\frac{\text{HOR. NTS}}{\text{VER.}}$ DATE: MAY 2010