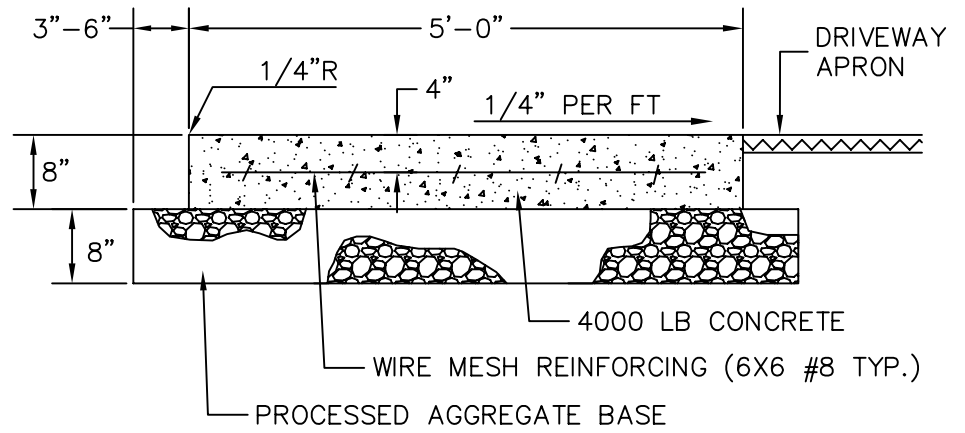


TYPICAL SECTION  
5" CONCRETE SIDEWALK



TYPICAL SECTION  
8" CONCRETE SIDEWALK  
(DRIVEWAY)

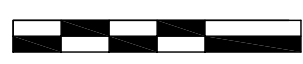
- NOTES:
- 1'-0" (TYP.) DOWEL SPACING FOR 4' WIDE CONCRETE WALK.
  - ALL TOOL MARKS TO BE TROWELED, FINISH CONCRETE WITH A FINE BROOM.



TOWN OF WINDSOR  
Engineering Department



CONCRETE SIDEWALKS  
D-205



SCALE: HOR. NTS \_\_\_\_\_ DATE: MAY 2010  
VER. \_\_\_\_\_