

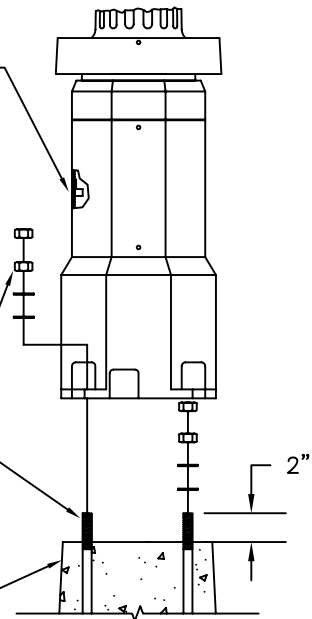
BOTTOM VIEW OF
TYPE III CUT-OFF
REFLECTOR SYSTEM
HINGE SIDE
OF ROOF

GROUND LUG
SUPPLIED TAC
WELDED TO
INSIDE WALL
LEFT OF DOOR

(2) HEX NUTS
(1) WASHER PER EA. BOLT

(4) 5/8" X
18" LONG ZINC
PLATED STEEL
ANCHOR BOLTS

CONCRETE BASE
PER TOWN STANDARDS



FURNISH
12'-0 1/4" POLE
3" O.D. TOP 4" O.D. BOTTOM
x 0.125 WALL TAPERED
ALUMINUM TUBING

CONTINUOUS
WELD

CAST ALUMINUM UPPER
BASE WITH 14 FLUTES

CAST ALUMINUM
OCTAGONAL BASE
WELDED TO UPPER BASE

CAST ALUMINUM
REMOVABLE ACCESS DOOR

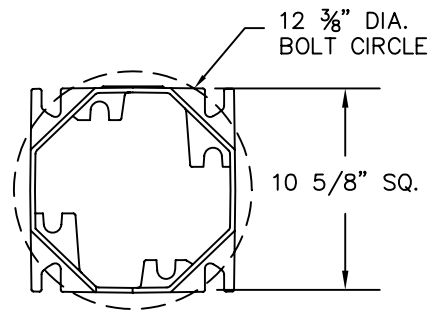
CAST ALUMINUM
SQUARE SLIP-OVER
BASE COVER WITH
2 SET SCREWS

2-1/2"

11-1/2" SQ.

25 1/4"

22 1/4"



NOTES:

1. POLE AND LANTERN TO BE FACTORY PAINTED SATIN BLACK UNLESS OTHERWISE SPECIFIED.
2. LANTERN = HANOVER LANTERN, INC. DWG. NO. L49561 OR APPROVED EQUAL.
3. POLE = HANOVER LANTERN, INC. DWG. NO. 316-7 THRU 18 OR APPROVED EQUAL.



TOWN OF WINDSOR
Engineering Department



DECORATIVE LIGHT POLE,
LANTERN, AND BASE

D-402



SCALE: HOR. NTS
VER. DATE: MAY 2010