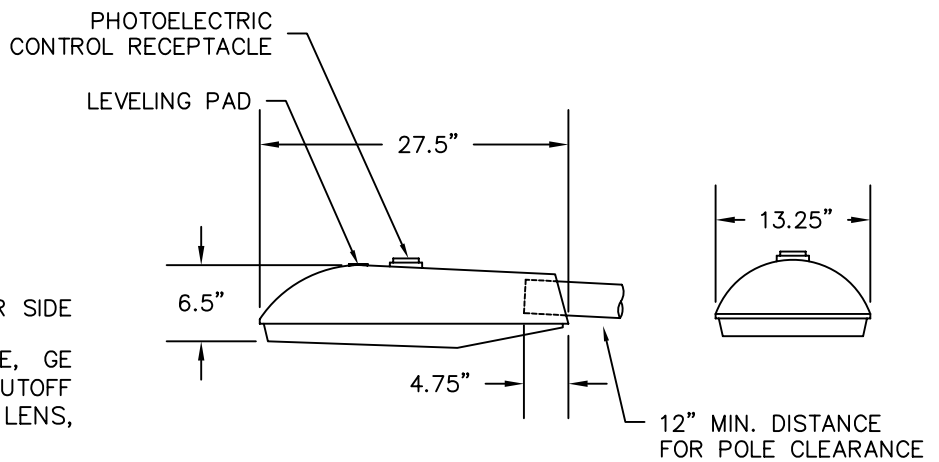


ALUMINUM LIGHT STANDARD



LUMINAIRE DETAIL

NOTES:

1. TRANSFORMER BASES DOOR TO BE ON FAR SIDE OF TRAFFIC FLOW.
2. LUMINAIRE SHALL BE COBRA-HEAD STYLE, GE M-250A2 POWR/DOOR® LUMINAIRE WITH CUTOFF OPTICS (OR APPROVED EQUAL), FLAT LENS, 150W HPS LAMP, TYPE III CUTOFF.



TOWN OF WINDSOR
Engineering Department



COMMERCIAL LIGHT POLE
AND LUMINAIRE
D-402B



SCALE: $\frac{\text{HOR. NTS}}{\text{VER.}}$ DATE: MAY 2010